

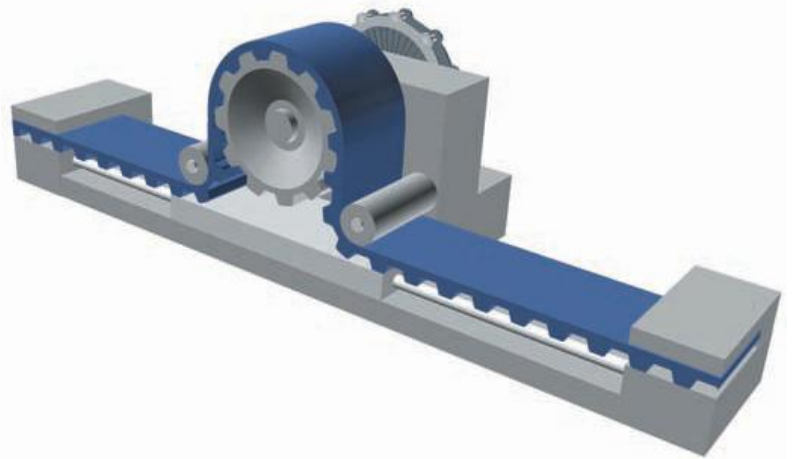
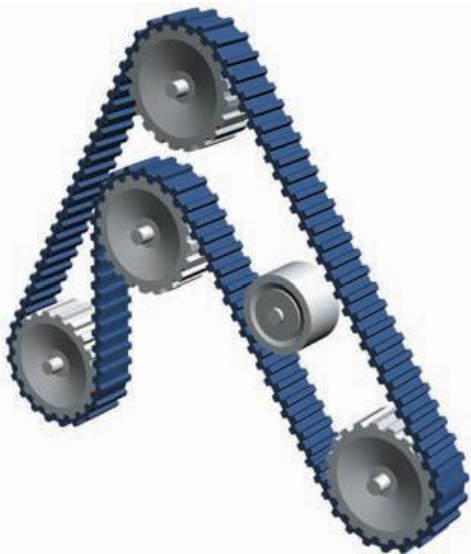
Edington Agencies

Your First Choice For Electric Motors and Transmission Products

Edington

optibelt

Power Transmission Timing Belts



Edington Agencies is pleased to announce they are now a distributor of Optibelt.

Optibelt manufacture competitively priced, high quality timing belts. These include Classical, HTD and Metric Timing Belts.

Edington Agencies stock an extensive range of Optibelt timing belts, with a same day dispatch service and a convenient location at our Brisbane distribution office for drop-in customers.

Edington Agencies

T: (07) 3397 4575
F: (07) 3397 4143

E: sales@edingtonagencies.com.au W: www.edingtonagencies.com.au

PO Box 1032, Coorparoo DC, QLD 4151 :: 44 Harries Road, Coorparoo, QLD 4151

Edington

Optibelt Timing Belts.pdf

Edington Agencies

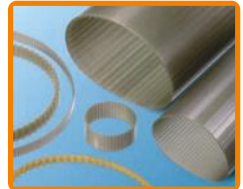
OMEGA linear & HP linear

- Low Level of Tensile Strength
- Low Stretch & Maintenance Free
- High Level Positioning Accuracy
- Complies with ISO 13050
- Extended Temperature Resistance
- Suitable for Medium to High Load Levels
- Low Noise Emission & Improved Oil Resistance
- Standard Range section width: OMEGA 3M 9; 5M 10; 5M 15; 5M 25; 8M 10; 8M 15; 8M 20; 8M 25; HP 3M9; HP 5M 10; 5M 15; 5M 25; HP 8M 10; 8M 15; 8M 20; 8M 25



ALPHA

- High Pitch Accuracy & Low Tolerances
- High Level Polyurethane Bonding onto Tension Card
- Belt Lengths up to 2,350 mm
- Nominal Sleeve Width 380 mm
- Sections: T5; T10; T20; ZRP; MXL; XL; L



ALPHAflex

- Length Range (approx) 1500 to 2,400 mm
- Length Range Available in Pitch Steps
- Fabric Coating on Toothing
- Identical Power Coates as Moulded Optibelt ALPHA
- Speeds up to 10,000
- Sections: DT5; DT10; DT20; AT5; AT10; AT20; 5M; 8M; 14M



OMEGA

- Synchronous Speed
- Maintenance Free & Low Noise Operation
- Temperature Range -30 deg c up to + 100 deg c
- For use with Standard HTD & RPP Timing Belts
- Applications: Suitable for all areas of Machine Construction
- Sections: 2M; 3M; 5M; 8M; 14M



OMEGA HL

- Ideal for High Torque Levels
- High Level of Precision & Low Noise Operation
- Temperature Range -30 deg c up to + 100 deg c
- Low Bearing Load & Maintenance Free
- Applications Include Machine Construction Drives, Conveyor Belt Systems, Wood & Paper Industry, Textile Machines and Garden Appliances
- Sections: 8M HL; 14M HL



OMEGA HP

- High level of Precision & Low Noise Operation
- Last 18 times Longer than Standard Timing Belts
- Maintenance Free & Low Bearing Load
- Temperature Range -30 deg c up to + 100 deg c
- Applications Include Textile, Tool, Printing, Wood Processing & Paper Machine and Compressors
- Sections: 3M HP; 5M HP; 8M HP; 14M HP



OMEGA ALPHA linear

- High Amounts of Tensile Forces can be Transferred
- Even Lengths Measuring > 100,000 mm available on Roll Goods
- Optional Fabric Coating on Toothed and Belt Top Surfaces
- Reinforced Designs for Linear Technology
- High Level of Positioning Accuracy & Low Maintenance
- Sections: XL; L; H; XH; T5; T10; T20; AT5; AT10; AT10L; AT20; 5M; 8M; 14M



T: (07) 3397 4575
F: (07) 3397 4143

Edington Agencies

PO Box 1032, Coorparoo DC, QLD 4151 :: 44 Harries Road, Coorparoo, QLD 4151

Edington